

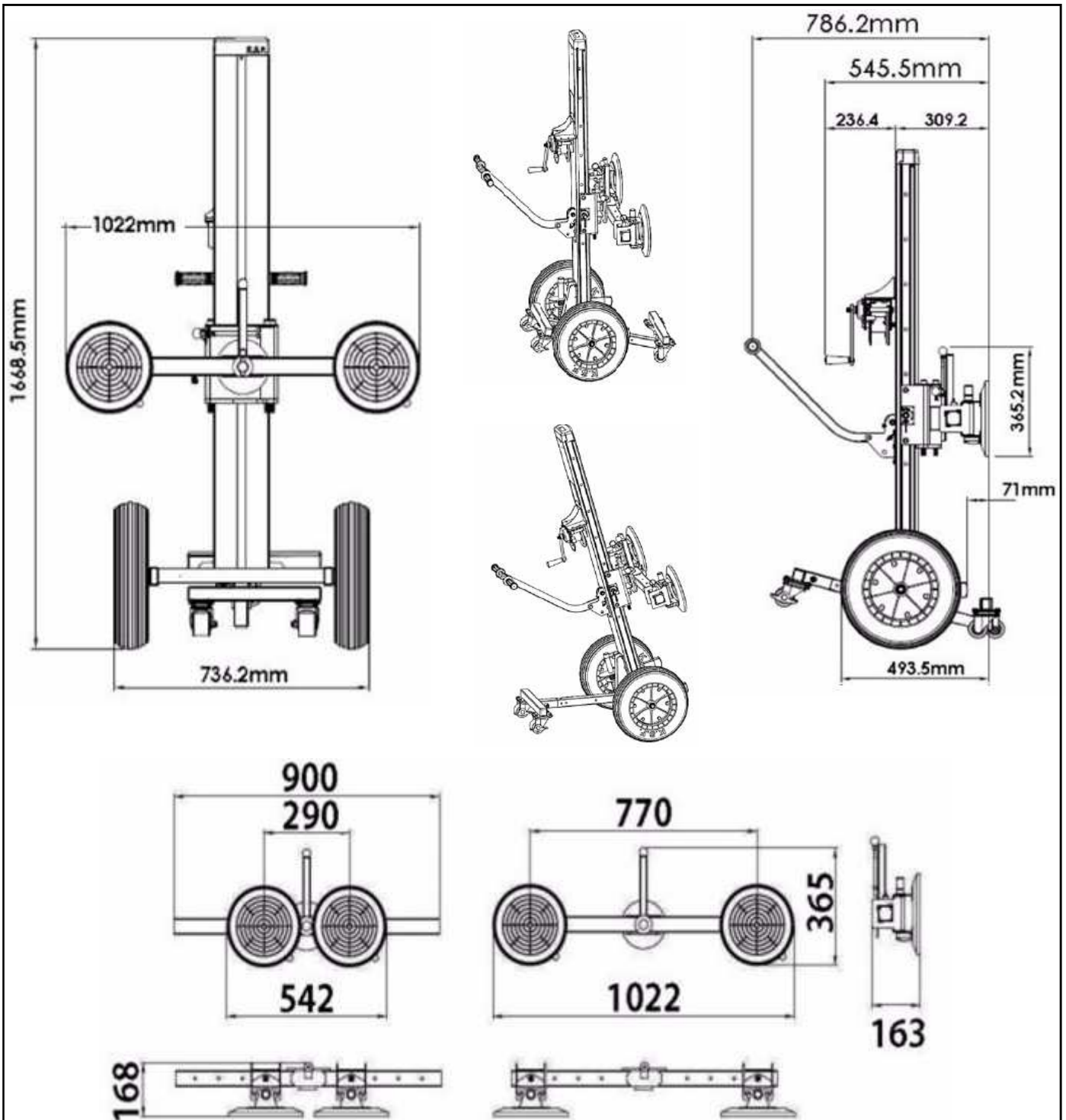
**Load capacity 180 kg**

- Ready in 30 seconds on job site
- Very robust and compact construction
- Rotation for glass panel up to 2400 mm
- Sliding base with 4 whells + brake
- Two big wheels Ø 400 mm for easy transport on site
- Manuel winch with automatic brake
- Vacuum unit diameter 254 mm (unit lifting capacity 140 kg)
- Sliding base with 4 whells + brake



- Sliding base with 4 whells + brake





Load capacity	180 kg
Mast, capacity	300 kg
Vacuum	2
Vacuum capacity	140 kg
Vacuum diameter	250 mm

Lifting height	1400 mm
For glass dimension	2400 x 1500 mm
Weight	54 kg

